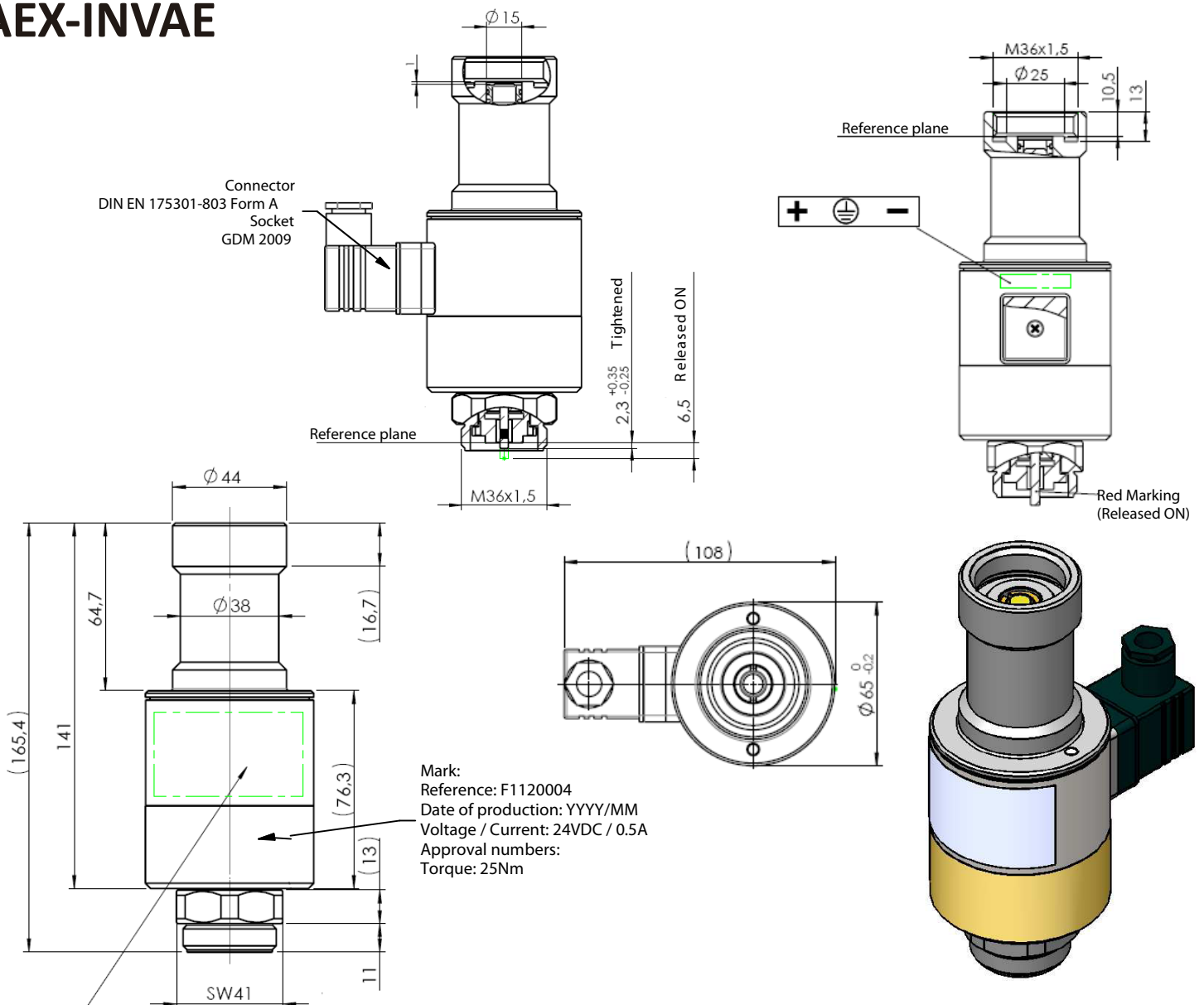
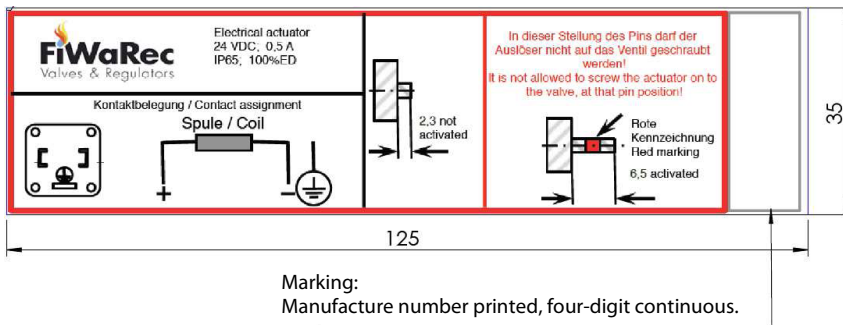


ELECTRIC ACTUATOR


AEX-INVAE



Mark:
 Reference: F1120004
 Date of production: YYYY/MM
 Voltage / Current: 24VDC / 0.5A
 Approval numbers:
 Torque: 25Nm



Especifications	
Name	Value
Total weight	2420 g
Weight of the plunger	162 g
Voltage range	18 / 28 VDC
Nominal coil resistancel at 20°C	50 ±10 Ohm
Current at 20 °C	0.5 A
Power input	4.5 W
Duty cycles	100 % ED
Ambiente temperature	-20 / 55 °C
Insulation class	F
Protection class DIN VDE 0580	IP65
Lifetime cycles	500

		Av. Alfonso Peña Boeuf, 6 y 9 28022 MADRID - ESPAÑA TEL: +34 913121656 FAX: +34 913295820		DATA SHEET ELECTRIC ACTUATOR				
Description: Device used to produce the electric release of the cylinder.								
Sheet code:	Solution sheet:	Reference:	Drawn:	Date:	Revised:	Date:	Revision:	Format:
AEX-FTC-09-003	IG-55	AEX-INVAE	DCM	27/08/2015	MRC	27/08/2015	1	A4

Nota: Aguilera Extinción S.L. reserves the right to modify without notice any data or specification reflected in this document.